

KI5212

Recycled shopping bag - Wavy pattern

- Shopping bag made from recycled materials.
- Original jacquard weave.
- 4-cm wide handles for greater comfort.

67% cotton/30% polyester/3% other fibers. This shopping bag is made of 67% recycled cotton and 30% recycled polyester. The inside of the bag is lined with fabric in a contrasting colour and has a zip fastening. The 4-cm wide handles are designed for extra comfort. The jacquard weave gives each piece a unique look.



More information

Logistic



Country of origin



BD - Bangladesh

Customs code



42029298



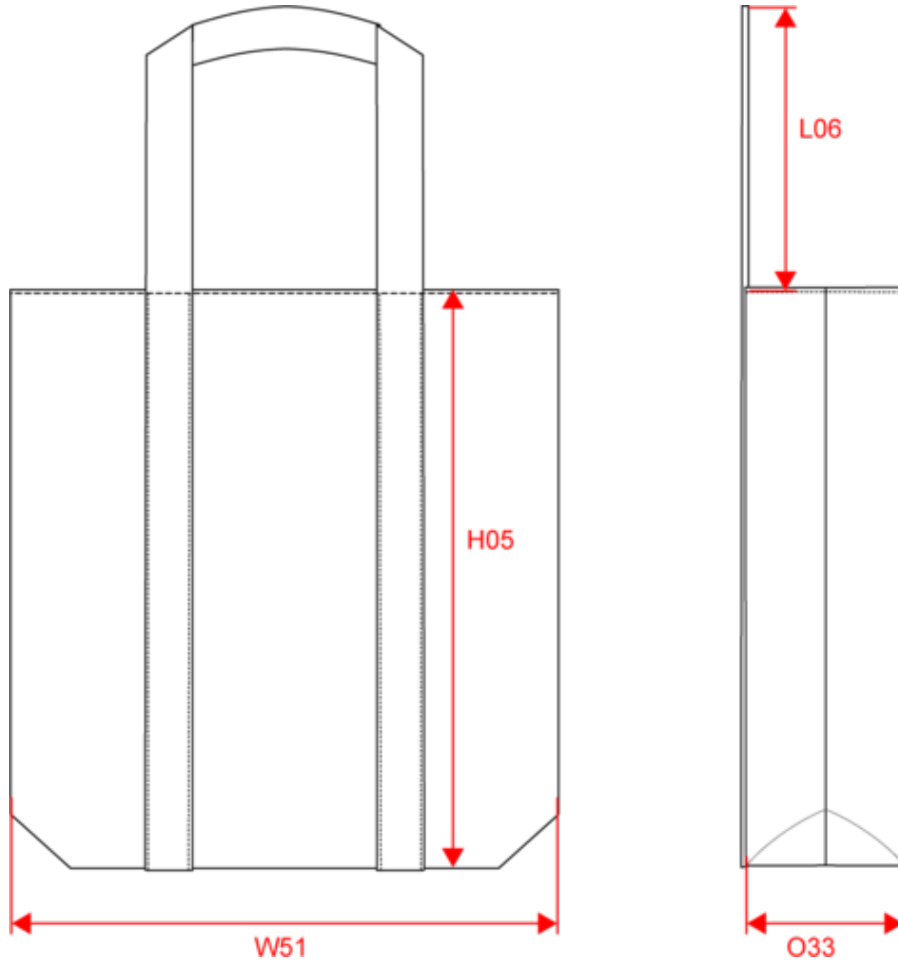
Waved
Black /
Black



KI5212

Recycled shopping bag - Wavy pattern

Dimensions (cm)



Measurements in cm	One size
H05 - Total height	40.00
L06 - Height of stretched top handle	30.00
O33 - Deep of bottom part	12.00
W51 - Total width	46.00



KI5212

Recycled shopping bag - Wavy pattern

Colours information



Waved Black Black

RVB : RVB : 35,35,37
Pantone C : Pantone C : Black
Pantone TCX : Pantone TCX : 19-4004TCX

Logistic



1



30

Sizes	Width (cm)	Height (cm)	Length (cm)	Net weight (kg)	Gross weight (kg)	Pieces/Box	Pieces/Bundle
One Size	42	20	48		12	30	1